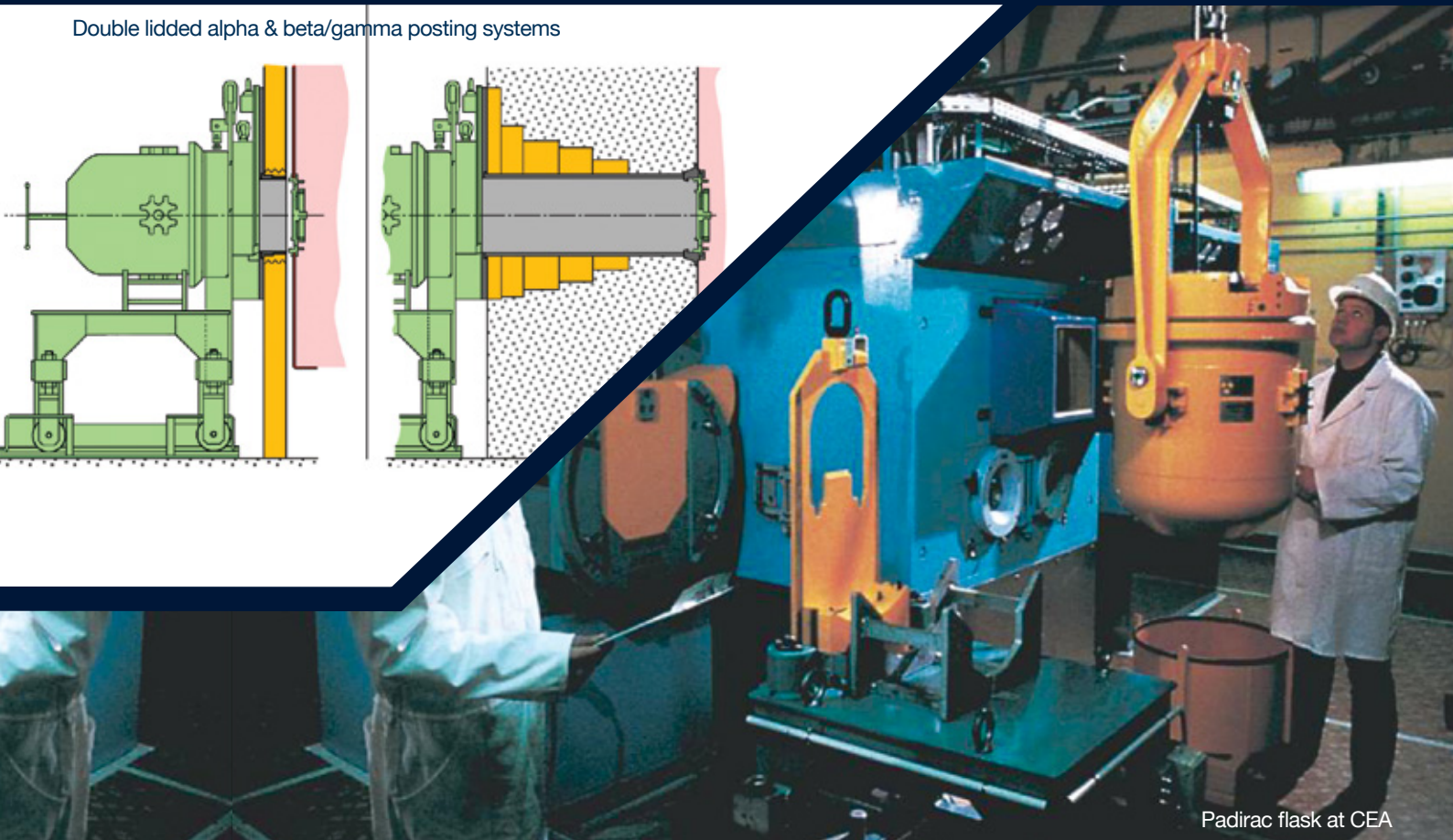
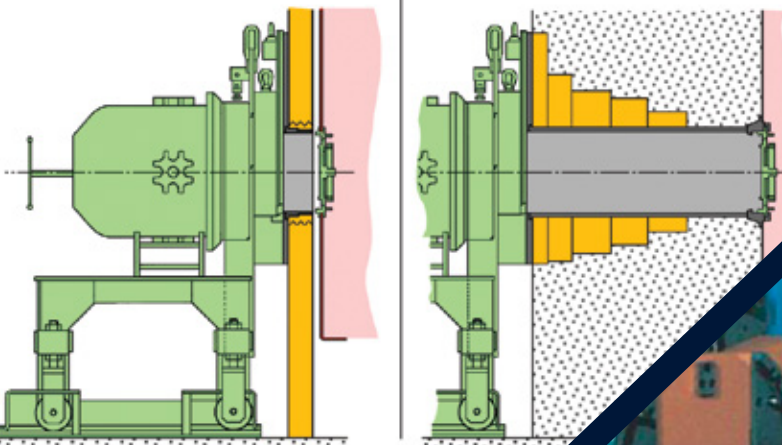




NUCLEAR

NUCLEAR TRANSPORT & PACKAGING SYSTEMS

Double lidded alpha & beta/gamma posting systems



Padirac flask at CEA

The Aquila team has many years of experience in the nuclear industry which includes the specialist areas of containment, shielded systems, remote handling and nuclear packaging.

Our engineers have been involved in projects from the design concept stage right through to manufacturing, testing at our factory and installation/commissioning on the clients' sites.

Clients engage with Aquila at different stages in the delivery process, but we like to get involved as early as possible so that we can share best industry practice from the start, saving time and money and delivering to our clients' exact requirements.

Delivery Stages

- Feasibility studies and cost options meeting regulatory requirements
- Engineering substantiation and validation
- Concept design and detail schemes
- Full size or scale models for testing
- Budget pricing from concept designs and detail schemes
- Detail design and manufacture drawings
- Full manufacturing specification including NDT
- Manufacture and procurement
- Life Time Quality Records
- Testing for regulatory compliance and specific customer needs
- Selection of lifting and handling tools

Nuclear Packaging applications cover

- IP-1 & 2 General purpose
- IP-2 Low level waste
- IP-2 Intermediate level waste
- Type A
- Type B
- Type UF6
- Products for international shipment
- Lifting and handling equipment

Aquila can design and source containers, packaging and transport solutions for the following material:

- Samples
- Liquids
- Solids
- LLW
- ILW
- Sources
- Type A RA material
- Type B RA material
- IP RA material
- Type A fissile material
- Type B fissile material



Stainless steel 100, 200 & 500 litre drums

 A Calder Group Company

Find us on -  



Aquila Nuclear Engineering Ltd

Fresh thinking, safe hands.

T: +44 (0) 1962 717 000
E: info@aquilaeurope.eu

www.aquilaeurope.eu